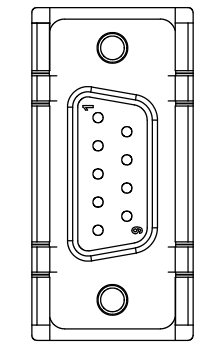
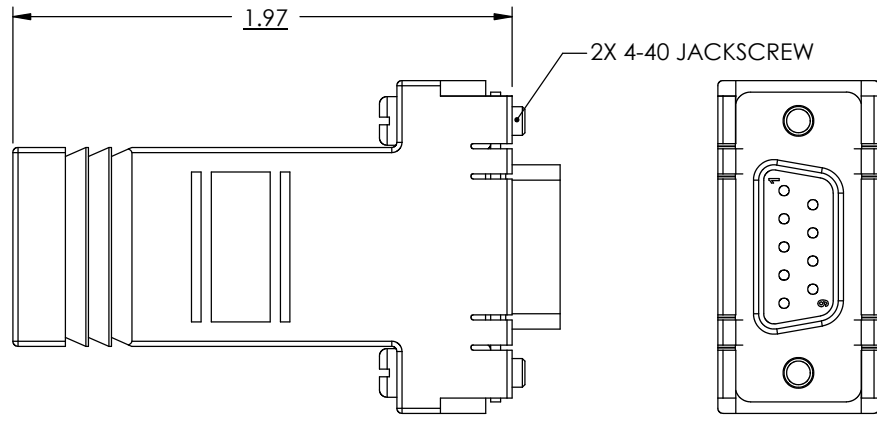
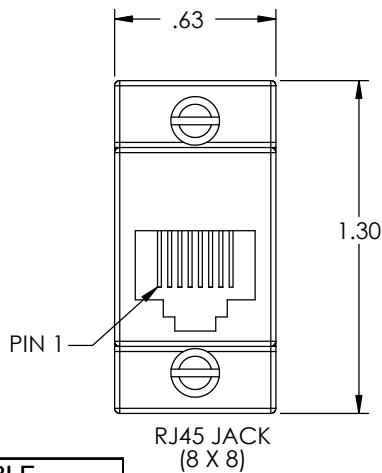
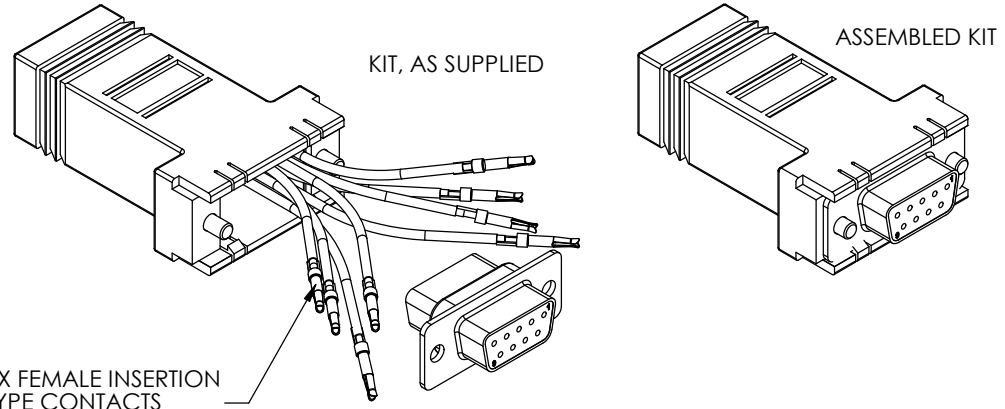


THE INFORMATION CONTAINED IN THIS DRAWING IS THE SOLE PROPERTY OF L-COM, INC. ANY REPRODUCTION IN PART OR WHOLE WITHOUT THE WRITTEN PERMISSION OF L-COM, INC. IS PROHIBITED.

REVISIONS			
REV	DESCRIPTION	DATE	APPROVED
A	RELEASED FOR PRODUCTION	12/5/01	TJC
B	ECN1698: ADDED COMPONENT SPECIFICATION TABLE	3/18/04	DFP



WIRING TABLE	
RJ45 JACK	COLOR CODE
PIN 1	BLUE
PIN 2	ORANGE
PIN 3	BLACK
PIN 4	RED
PIN 5	GREEN
PIN 6	YELLOW
PIN 7	BROWN
PIN 8	GRAY OR WHITE



Component Specifications	
Material	
Housing	ABS, UL 94V-0 rated Color: Light Gray
D-sub Shell	Steel
Insulator	PBT w/ Glass Fiber Fill (UL94V-0 rated)
D-sub Contacts	Phosphor Bronze
Jack Housing	ABS
Modular Contacts	Phosphor Bronze
Finish	
D-sub Shell front	Bright Tin/Nickel Plated
D-sub Shell Rear	Bright Tin Plated
D-sub Contacts	30 pinches Gold
Modular Contacts	30 pinches Gold
Environmental	
Operating Temperature Range	0°C to 65°C

CS-244

UNLESS OTHERWISE SPECIFIED,
DIMENSIONS ARE IN INCHES
TOLERANCES ARE:
.X ±.1
.XX ±.05
.XXX ±.005
CABLE LENGTH TOLERANCE
<300" ±5% >300" ±2%

APPROVALS	DATE
DRAWN BY TJC	11/30/01
CHECKED BY DFP	12/5/01
APPROVED BY CM	12/5/01

CONFIGURATION DETAILS OF
UNDIMENSIONED FEATURES
MAY VARY

L-com
CONNECTIVITY
PRODUCTS

45 BEECHWOOD DRIVE
NORTH ANDOVER, MA
01845

PRODUCT DESCRIPTION
RJ45 TO DB9F MODULAR ADAPTOR

DRAWING TITLE
OUTLINE DRAWING

SIZE A	FSCM NO. 43321	DWG. NO. RBA098F-OD1	REV. B
------------------	--------------------------	--------------------------------	------------------

SCALE: NONE CAD FILE: RBA098F-OD1.SLDDRW SHEET 1 OF 1